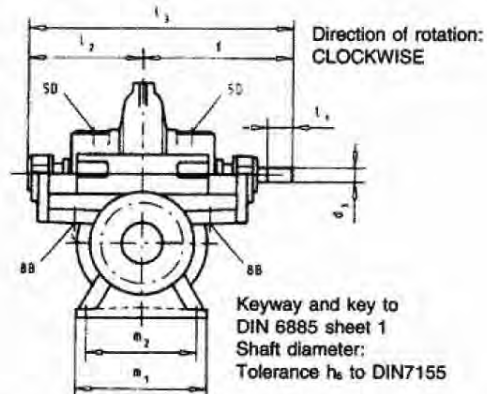
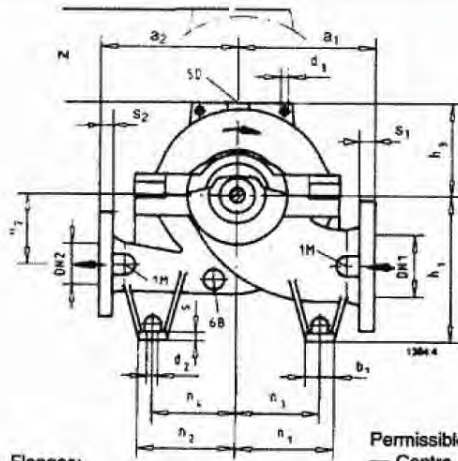


## Installation Drawings & Dimensions



Flanges:  
 - Flat surface flanges  
 - Flange thickness to ANSI  
 - Connect pipes without stress

Permissible deviations for:  
 - Centre line heights DIN 747  
 - Dimensions without indication of tolerances DIN7168, MEDIUM  
 - Cast iron parts DIN 1686 GTB 18

Connections:  
 - 1M Pressure gauge G 1/2  
 - 5D Vent G 1/2  
 - 6B Drainage G 1/2  
 - 8B Leakage liquid drain G 3/4

### Major external pump Dimensions and Weights

all dimensions in mm

Pump size	Flange dimensions				Pump dimensions														
	DN1	DN2	S1	S2	A1	A2	d3	f	H1	H2	H3	L2	L3	Z <sup>2)</sup>					
250-200-320	250	200	47.6	41.3	45.0	45.0	24.5	590	500	240	285	399	989	570					
250-200-420					50.0	50.0					310			620					
250-200-520					60.0	50.0					655			560	300	370	464	1119	740
300-250-670					65.0	55.0					655			600	350	430	464	1119	860
300-250-370	300	250	33.4 (50.8) <sup>1)</sup>	32 (47.6) <sup>1)</sup>	50.0	50.0	12.5	655	600	300	320	464	1119	640					
300-250-480			50.8	47.6	55.0	730		600	300	355	515	1245	710						
300-250-600			50.8	47.6	65.0	550		730	630	350	415	515	1245	830					
300-250-700			50.8	47.6	70.0	600		730	680	400	465	515	1245	880					
350-300-330	350	300	36 (54) <sup>1)</sup>	33.4 (50.8) <sup>1)</sup>	55.0	50.0	24.5	655	630	300	360	464	1119	720					
400-300-435	38.1 (57.2) <sup>1)</sup>		65.0		55.0	730		670	350	365	515	1245	730						
400-300-560	57.2		50.8		700	650		810	710	350	430	585	1395	860					
400-300-700	57.2		50.8		750	650		810	750	400	480	585	1395	960					
400-300-800	400	57.2	50.8	800	700	810	800	450	530	585	1395	1010							
400-350-360	400	350	38.1 (57.2) <sup>1)</sup>	36 (54) <sup>1)</sup>	65.0	55.0	24.5	730	670	350	410	515	1245	820					
400-350-430	41.3 (60.3) <sup>1)</sup>		75.0		65.0	810		750	400	465	585	1395	930						
400-350-510	38.1 (57.2) <sup>1)</sup>		70.0		65.0	810		750	400	420	585	1395	840						

Pump size	Foot dimensions								Shaft		Weight (kg)		
	b1	d2	m1	m2	n1	n2	n3	n4	s	d1	L1	bare shaft pump	water content
125-80-210	70	17.5	320	270	205	205	170	170	20	35	80	185	10
125-80-270					260	260	225	225	20	45	100	195	15
125-80-370					315	315	280	280	20	100	205	20	
150-100-250	70	17.5	320	270	235	235	200	200	20	35	80	210	20
150-100-310					260	260	225	225	20	100	225	25	
150-100-375					315	315	280	280	20	100	245	30	
200-125-230					390	340	260	260	225	225	250	35	
200-125-290	70	17.5	390	340	260	260	225	225	20	45	100	275	40
200-125-365					315	315	280	280	20	100	300	45	
200-125-500					390	340	260	260	225	225	335	55	
200-150-290					480	430	315	215	280	280	350	50	
200-150-360	70	17.5	480	430	315	215	280	280	20	45	100	360	60
200-150-460					315	215	280	280	20	125	440	75	
200-150-605					315	215	280	280	55	125	650	90	

<sup>1)</sup> For casing material QT400-18,ZG230-450

<sup>2)</sup> z = The dimensions to be maintained around the casing cover for dismantling of the rotor