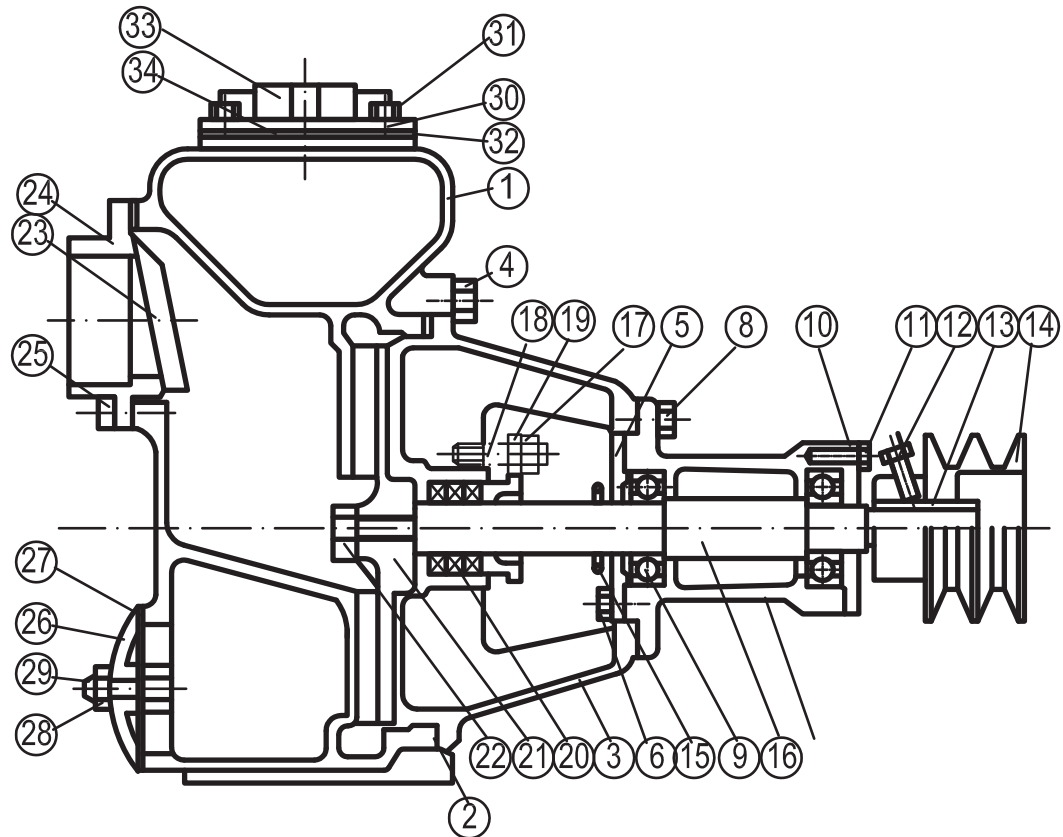


## Part list for NS type

No.	PART NAME	QTY
1	CASING	1
2	GASKET	1
3	PEDESTAL	1
4	BOLT	4(6)
5	INSIDE COVER	1
6	BOLT	3(4)
7	BEARING CASE	1
8	BOLT	4
9	BEARING	2
10	OUTSIDE COVER	1
11	BOLT	3(4)
12	BOLT	1
13	KEY	1
14	V.PULLEY	1
15	WATER THROWER	1
16	SHAFT	1
17	NUT	2
18	STUD BOLT	2
19	GLAND	1
20	GLAND PACKING	1
21	IMPELLER	1
22	IMPELLER NUT	1
23	CHECK VALVE	1
24	SUCTION FLANGE	1
25	BOLT	4
26	DRAIN COVER	1
27	GASKET	1
28	NUT	1
29	STUD	1
30	DISCHARGE FLANGE	1
31	BOLT	4
32	GASKET	1
33	PRIMING PLUG	1
34	RUBBER SEAL RING	1



**NS Sectional View**

Direction of rotation:

Anti-clockwise viewing from driving end, but clockwise for FSR - 150